



Estudio Técnico del Sistema Bluebox

ANEXO “A.4”. Bluebox Wow: Portable Wireless Content Streaming

Agosto 2021

Revisión: Original

Link Conexión Aérea S.A. de C.V.



Estudio Técnico del Sistema Bluebox

PÁGINA DEJADA INTENCIONALMENTE EN BLANCO

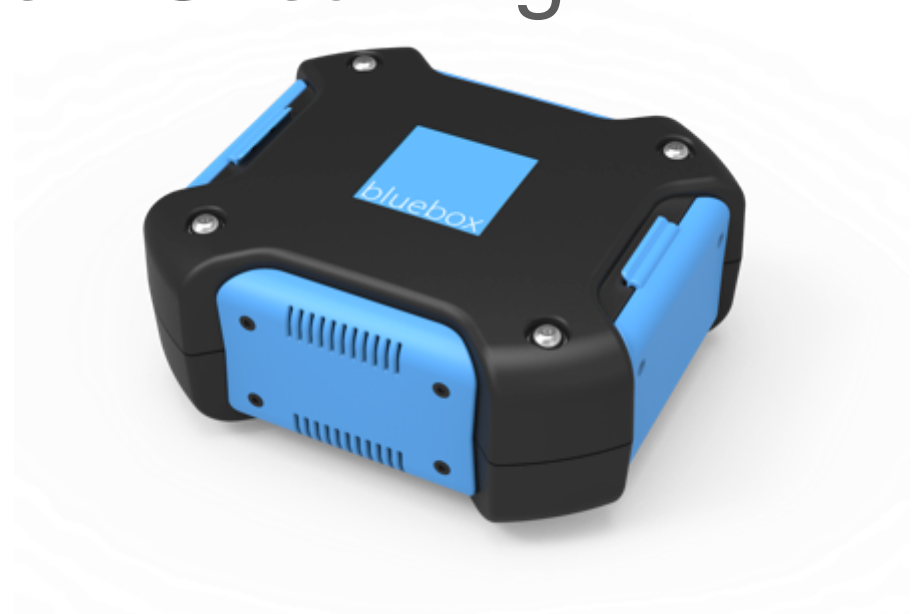
Agosto 2021

Revisión: Original

Link Conexión Aérea S.A. de C.V.

Bluebox Wow:

Portable Wireless Content Streaming



Bluebox Wow – Streaming to Passenger’s Own Devices



Flexible Customer Engagement Platform

- Up to 1.6Tb App-Less Digital Rights Management (DRM) available (Option for Movies in future phases)
- Kept up to date via FastSwap USB, Wi-Fi or Cellular
- Flexible access options – free-to-all, paid-for-access, premium access

Low power consumption

- Allows 15 hour+ operation from 98wH battery
- Easy-to-swap with spares
- Single and Multi-bay chargers

Robust lightweight construction - only 2Kg/4.4lbs

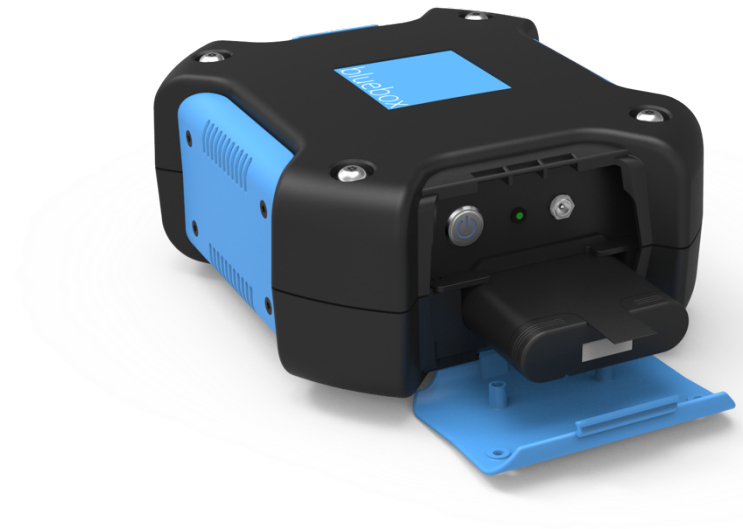
High bandwidth streaming – dual frequency 2.4/5GHz for up to 50 movie streams per box

- 1 box per 50 pax / 2 batteries per box / 2 spare boxes per program

No aircraft modification or STC required

Regulatory Approvals :

- Electromagnetic Interference DO-160 G Section 21.5 Part M
- Flammability CS-25.853 APP F Part 1a
- European Consumer Standard CE approved



Bluebox Wow – Passenger Experience



High quality entertainment experience on phones, tablets or laptops

- Customized multiple user-interface maintaining brand identity
- Multiple language options

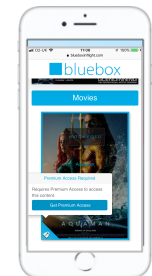
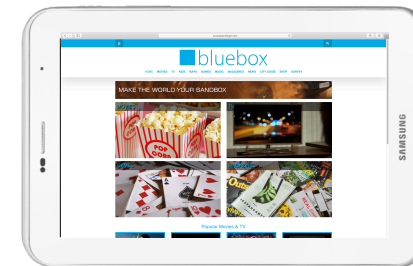


Rich content set can include video, destinations, games, moving map, apps

- Smaller content items highly attractive on shorter flight segments
- Content curated to suit PAX demographic and flight duration
- Passenger survey and feedback options available

App-less DRM available

- Content accessible via browser
- Can also be delivered via stand-alone or airline App



Bluebox Wow – Power and Stowage Options



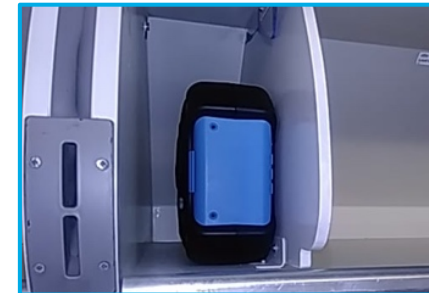
Battery-Powered

- Safe COTS, High Capacity 98wH Smart Battery - Over-charge, over-discharge, over-current, over-temperature protected
- Meets all UN transportation testing regulations and RoHS2, REACH FCC / CE compliant.
- Similar battery used with Bluebox iPads for over 7 years – over 20,000 deployed
- Multiple charging options available -Single/Multiple battery desktop to 12-bay main base chargers with 3-4hr charge time



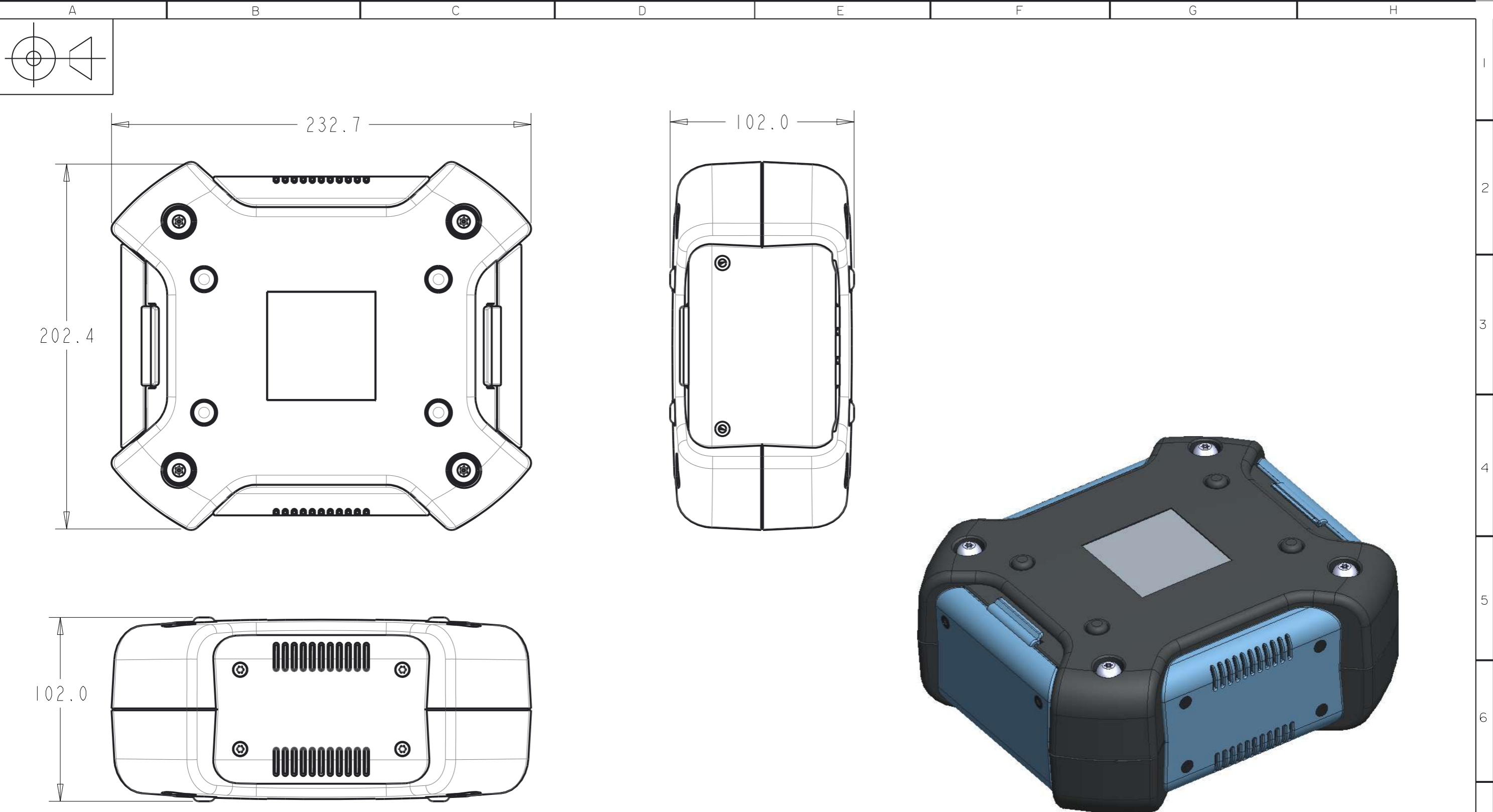
Stowage

- Bluebox Wow is robustly designed to be simply stowed in the overhead lockers



System monitoring and Mobile Device Management

- Device use characteristics
- Remote access for diagnostic
- Remote access for updates



SCALE 0.500

SCALE 0.500

SIMILAR PARTS

UNLESS SPECIFIED
DIM LIMITS ARE:-
MM NOMINAL

X.XX +/-0.15
X.X +/-0.3
ANG +/-0.5

THE CONTENTS, INFORMATION AND COPYRIGHT
OF THIS DOCUMENT ARE THE SOLE PROPERTY OF
BERG DESIGN LIMITED, COMPANY No 239448 AND
MUST NOT BE PUBLISHED, APPLIED OR COPIED
WITHOUT THE EXPRESS KNOWLEDGE WRITTEN CONSENT
THE OWNERS.

COATING:

CHANGES: Use grid reference (eg. A1 or B2 etc..) to denote area of change, where applicable.
NEW or SUPERSEDED drawing must include reason for change.

<MODIFY THIS TEXT>

CLASS:

DFTS: GR DATE: 24-Apr-17
DES'R: GR
APPD: AS DATE: 24/04/17
APPD: DATE:
MAT'L: SEE BOM
SUPERSEDES:
Model Name: I270_A_001

BERG DESIGN LIMITED

UNIT: WOW ASSEMBLY

NAME: WOW BOX ASSEMBLY

SHEET 1 of 1

SCALE 0.250

I270_A_001

A		GR	24/04/17
REV	RELEASE NO.	DESIGNER	DATE

PRO/ENGINEER DRAWING